

# IT-SSA9-IR

With 9 high power LEDs for a total power consumption of 20W, beam angle 15° to 120°, beam distance 120m to 20m, the IT-SSA9-IR is an IR Illuminator with a high service of life.

- Wavelength 740nm/850nm/940nm.
- 50.000 hours lifetime LEDs.
- Extended working temperature range -30 to 50°C.
- 1-3 years warranty.



IR LAMP

HI-POWER  
LEDENERGY  
SAVINGAUTO D/N  
CONTROL

## Product Family

The IT-SSA9-IR is part of the high-power Compact IR Illuminators series that is the quality LED light source solution for night-time illumination, providing high-power infrared light for CCTV and IP cameras to enhance night-time visual performance.

## Product Features

- Precise secondary optical technology.
- The latest LED technology assures outstanding performance with excellent luminous efficiency and more uniform illumination.
- Independent innovation of high efficiency power drive schemes.
- Low failure rate of products is guaranteed because of professional in-house optimized independent circuit technology widely used in our LEDs illuminators for more than 5 years.
- High thermal conductivity aluminum.
- Energy saving technology.
- All illuminators has energy saving circuit with low electrical power consumption.
- Thinner and lighter design.
- Housing designed for simple installation and easy operation to reduce construction difficulty.

## Basic Functions

- *To improve performance of the weak light camera, thereby enhancing the picture effects at night.*
- *Conventional night monitoring.*
- *The function of video analysis at night.*
- *Reduce signal noise and other image distortion.*
- *Reduce the network bandwidth requirements.*
- *Energy saving by power factor correction.*
- *Reduce the equipment cost.*
- *Lower cost of installing and wiring.*
- *Indoor and outdoor use.*

## Technical Specifications

**LED type:** 9 pieces high power IR LEDs

**Wavelength:** 740nm/850nm/940nm

**Beam angle:** 15° to 120°

**Beam distance:** 120m to 20m (850nm)

**Bracket:** Wall mount bracket

**Working voltage:** AC110-220V

**Power:** 20W (850nm)

**Cable:** 1.3m

**Day & Night switch:** Automatic

**Working temperature:** -30 to 50°C

**Protection level:** IP66

**Color:** Black

**Panel:** Tempered glass panel

**Housing:** Aluminum die-casting housing

**Net weight:** 1.25 kg

**Gross weight:** 1.5 kg

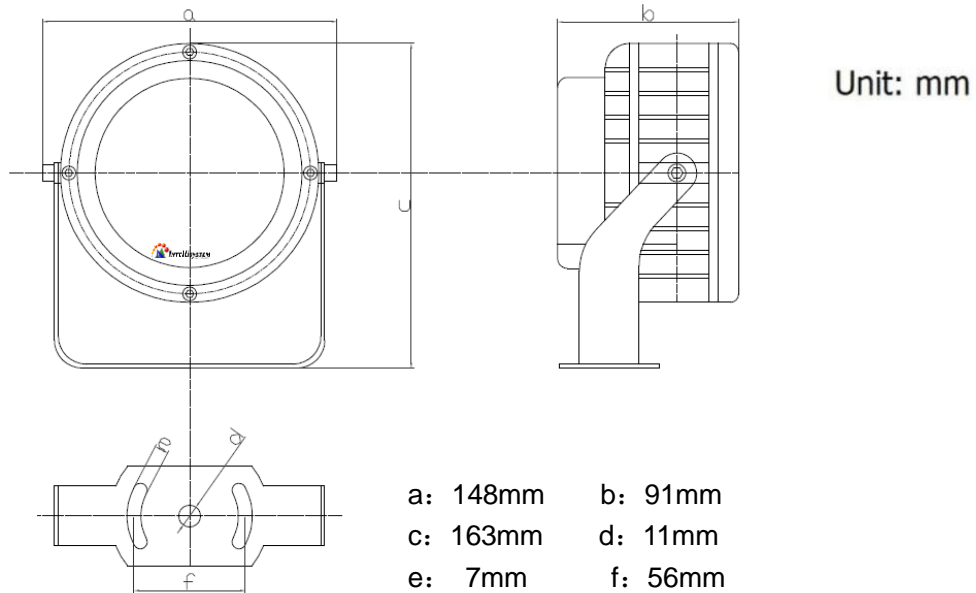
## Models for Selection

Model	Beam angle	Viewing IR distance
IT-SSA9-15-IR	15°	120m
IT-SSA9-30-IR	30°	80m
IT-SSA9-45-IR	45°	55m
IT-SSA9-60-IR	60°	40m
IT-SSA9-90-IR	90°	30m
IT-SSA9-120-IR	120°	20m

*\*Viewing IR distance is tested by Sony 1/3 CCD Camera and 850nm IR LEDs.*

To achieve the distance needed, please pay attention to your camera specifications and lens before purchase. It is normal phenomenon that distance may vary due to different cameras and lens.

## Mechanical Drawings



## Viewing Picture at Night



With IR



Without IR